

## Front adapters - FLKM 14-PA-AB/1756/EXTC - 2302861


Please be informed that the data shown in this PDF Document is generated from our Online Catalog. Please find the complete data in the user's documentation. Our General Terms of Use for Downloads are valid (<http://phoenixcontact.com/download>)



VARIOFACE front adapters, for Allen Bradley ControlLogix and Honeywell PlantScape, max. 2 x 8 channels can be connected.  
The front adapters are pushed into the high 1756-TBE hoods (not supplied as standard).



### Key Commercial Data

Packing unit	1 pc
GTIN	 4 017918 917524
GTIN	4017918917524
Weight per Piece (excluding packing)	60.000 g
Custom tariff number	85369010
Country of origin	Germany

### Technical data

#### Note

Note	Do not connect adjacent channels to SELV/ PELV and voltages dangerous to the touch.
	No additional touch protection is required when using a SELV/PELV voltage ( $\leq 25$ V AC or 60 V DC).
	At least one functional insulation against adjacent modules is complied with (in the support rail direction). If the application has stricter requirements for the insulation (basic insulation or reinforced insulation), they must be realized by applying suitable measures (e. g. partition plates).

#### Ambient conditions

Ambient temperature (operation)	-20 °C ... 50 °C
Ambient temperature (storage/transport)	-20 °C ... 70 °C
Maximum altitude	$\leq 2000$ m

## Front adapters - FLKM 14-PA-AB/1756/EXTC - 2302861

### Technical data

#### Ambient conditions

Degree of protection	IP00
	≥ IP54 (Installation location)

#### General

Max. permissible operating voltage	25 V AC
	60 V DC
Max. permissible current	1 A (per path)
	8 A (per connection, supply via separate power supply)
Mounting position	any
Assembly instructions	In rows with zero spacing
Nominal operating mode	100% operating factor

#### Standards and Regulations

Connection in acc. with standard	CUL
Designation	Air clearances and creepage distances between the power circuits
Standards/regulations	DIN EN 50178
Rated insulation voltage	63 V
Rated surge voltage	0.6 kV
Insulation	Functional insulation
Pollution degree	2
Overvoltage category	II

#### Connection data

Connection name	Controller level
Channels which can be connected	16

#### Connection data 2

Connection name	Field level
Connection method	IDC/FLK pin strip
Number of connections	2
Number of positions	14
Pitch	2.54 mm

#### Connection data 3

Connection name	Supply
Connection method	Screw connection
Conductor cross section solid	0.14 mm <sup>2</sup> ... 1.5 mm <sup>2</sup>
Conductor cross section flexible	0.14 mm <sup>2</sup> ... 1.5 mm <sup>2</sup>
Conductor cross section AWG	28 ... 16

#### Supported controller

## Front adapters - FLKM 14-PA-AB/1756/EXTC - 2302861

### Technical data

#### Supported controller

Controller	ALLEN-BRADLEY ControlLogix
- suitable I/O card	1756-IA8D
	1756-OB16E
	1756-IF6I
	1756-IR6I
	1756-IT6I
	1756-OF4
	1756-OF6CI
	1756-OF6VI
	1756-OF8
	1756-PLS
	1756-IF6CIS
	1756-OF8H
Controller	HONEYWELL Experion PKS C200
- suitable I/O card	TC-IDX 081
	TC-IXR 061
	TC-IAH 061
	TC-OAH 061
	TC-OAV 061
	TC-OAV 081
	TC-IXL 061

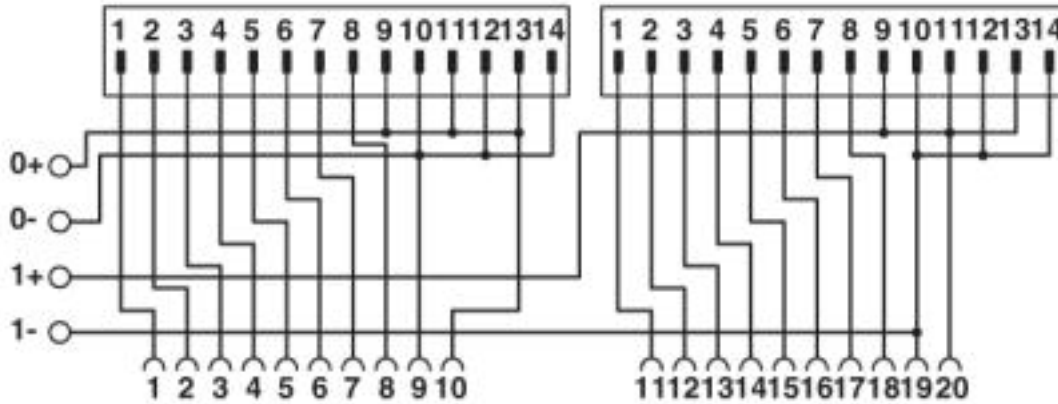
#### Environmental Product Compliance

REACH SVHC	Lead 7439-92-1
China RoHS	Environmentally Friendly Use Period = 50
	For details about hazardous substances go to tab "Downloads", Category "Manufacturer's declaration"

### Drawings

## Front adapters - FLKM 14-PA-AB/1756/EXTC - 2302861

Circuit diagram



Connection scheme FLKM 14-PA-AB/1756/EXTC

### Classifications

#### eCl@ss

eCl@ss 4.0	27250300
eCl@ss 4.1	27250300
eCl@ss 5.0	27250300
eCl@ss 5.1	27250300
eCl@ss 6.0	27249200
eCl@ss 7.0	27249290
eCl@ss 8.0	27249290
eCl@ss 9.0	27242292

#### ETIM

ETIM 4.0	EC002584
ETIM 5.0	EC002584
ETIM 6.0	EC002584
ETIM 7.0	EC002584

#### UNSPSC

UNSPSC 6.01	30211824
UNSPSC 7.0901	39121421
UNSPSC 11	39121421
UNSPSC 12.01	39121421
UNSPSC 13.2	32151601

# Front adapters - FLKM 14-PA-AB/1756/EXTC - 2302861

## Approvals

### Approvals

---

#### Approvals


UL Recognized / cUL Recognized / EAC / cULus Recognized


---


#### Ex Approvals

---

### Approval details

UL Recognized		<a href="http://database.ul.com/cgi-bin/XYV/template/LISEXT/1FRAME/index.htm">http://database.ul.com/cgi-bin/XYV/template/LISEXT/1FRAME/index.htm</a>	FILE E 238705
Nominal voltage UN		125 V	
Nominal current IN		1 A	

cUL Recognized		<a href="http://database.ul.com/cgi-bin/XYV/template/LISEXT/1FRAME/index.htm">http://database.ul.com/cgi-bin/XYV/template/LISEXT/1FRAME/index.htm</a>	FILE E 238705
Nominal voltage UN		125 V	
Nominal current IN		1 A	

EAC		RU C- DE.A*30.B.01742
-----	---	--------------------------

cULus Recognized	
------------------	---